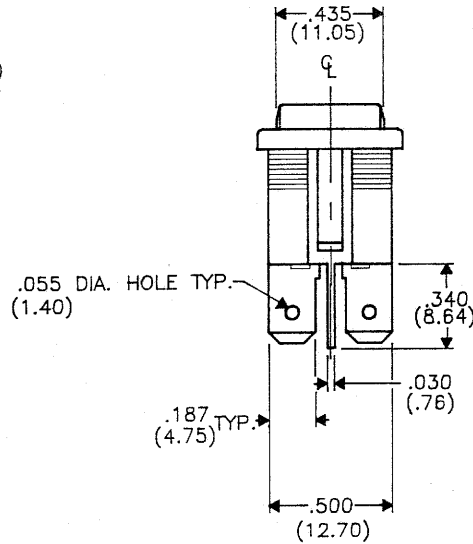
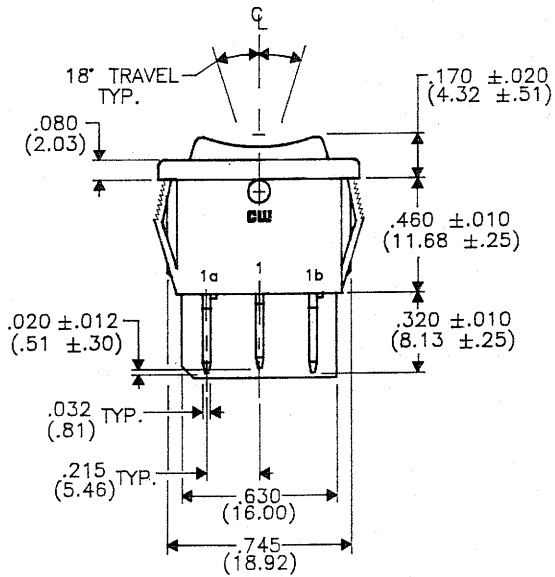
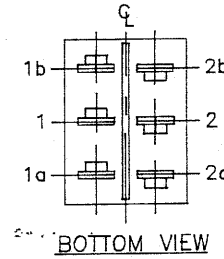
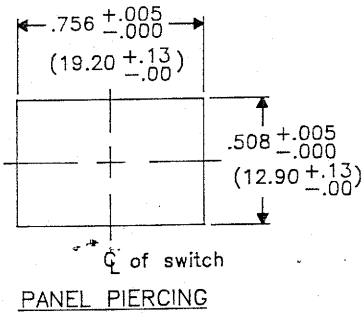
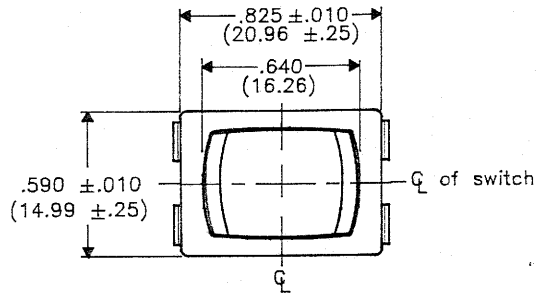


DIMENSIONS IN INCHES (MILLIMETERS)
DO NOT SCALE DRAWING...

Drawing No.
GRS-4023C-0005



B-FORM-0
REVISIONS
0
RELEASED
DGW 5-25-94
MAY 26 1994

CW INDUSTRIES
Southampton, Pa. 18966

TOLERANCES UNLESS OTHERWISE SPECIFIED
2 Place decimal ±.010 METRIC
3 Place decimal ±.005 (1 Place dec. ±.25 MM
Angles .1° 2 Place dec. ±.13 MM

Made for CW IND.
Drawn by DGW 5-25-94
Checked by G. GOLD 5-26-94
Approval ASK 5-26-93

Title
**MINI SWITCH
ASSEMBLY
CENTER-OFF
(SNAP - IN)**

Division
SWITCH

Drawing No.
GRS-4023C-0005